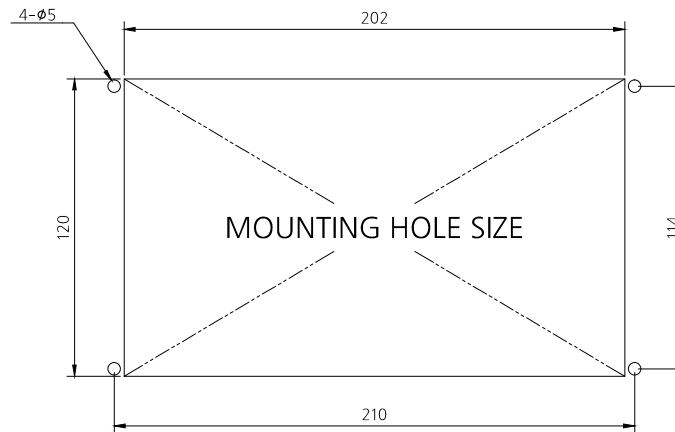
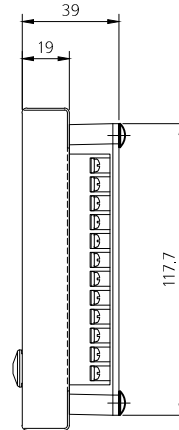


Dimensions
 Supply Voltage : DC 8 ~ 32 [V]
 PT Input Range : AC 0 ~ 550 [Vrms]
 CT Input Range : AC 0 ~ 5 [Arms]
 Operation Temp. : -25 ~ +70 [°C]
 MPU. signal input : Min. AC 0.7[V]
 Digital input : 4 points
 Digital output : 3 points / AC 250[V] 5A



| Mark | Q'TY | ECR No. | Description of change | Date | Created | Checked |
|------|------|---------|-----------------------|------|---------|---------|
|------|------|---------|-----------------------|------|---------|---------|

| Color | LED Status | Description |
|--------|---------------------|---|
| Green | RUNNING | On when generator runs Off when stop |
| Red | OVER SPEED | On when shutting down |
| Red | HIGH WATER TEMP. | |
| Red | LOW LUB. OIL PRESS. | |
| Red | EMERGENCY STOP | |
| Red | OVER VOLTAGE | |
| Red | OVER CURRENT | |
| Orange | MENU SETTING | On when entering menu |

| Symbol | 7-SEGMENT Status |
|--------|------------------|
| V | 기압 GEN. VOLTAGE |
| A | GEN. CURRENT |
| Hz | GEN. FREQUENCY |

| Symbol | BAR-LED Status |
|--------|---------------------|
| | COOLANT WATER TEMP. |
| | LUB. OIL PRESSURE |
| | BATTERY VOLTAGE |

| Button | Description |
|-------------------|---|
| START, LEFT | Control function : Generator start Menu setting : cursor of leftward movement |
| STOP, UP | Control function : Generator stop Menu setting : Addition 1 of number |
| RESET, MENU, SAVE | Control function : Pushing, release warns Menu : Enter menu when pushing 5s over Menu setting : Save and move next menu |



All Dimensions in millimeters unless otherwise stated

| | | | | | | | |
|--------------------------|---|------------|------------|------------|--------|-------------|---------------------|
| 3rd Angle Projection | (주) 아이씨디 ICD CO., LTD www.eicd.co.kr B-617, Smart Valley, Songdo-dong, Yeonsu-gu, Incheon, Korea <i>This Drawing and the Design shown are the property of ICD CORP. and must not be used or copied without their permission</i> | Drafting | Design | Checked | Weight | Type | Drawing Name |
| | | 2017.01.17 | 2016.06.22 | 2017.01.17 | - (Kg) | NeoGCP 3 | CONTROLLER ASS'Y |
| | | Munkhtulga | BJ Chon | Tony | Scale | Project No. | Drawing No. |
| | | | | | 1 / 2 | - | 42.00500-5136 1 / 1 |