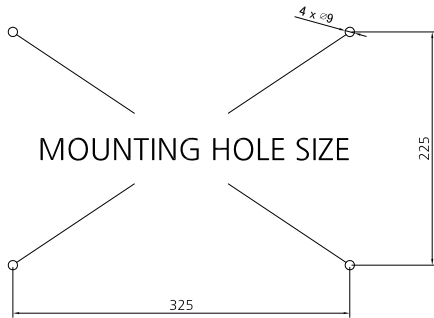


< 도어 부품 배치도 >



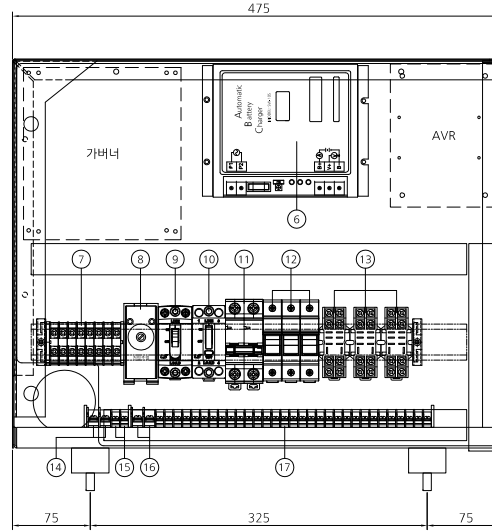
MOUNTING HOLE SIZE

NOTE

1. REFERENCE DRAWING

42.99591-0066a Schematic Diagram (GenCube 700CP)

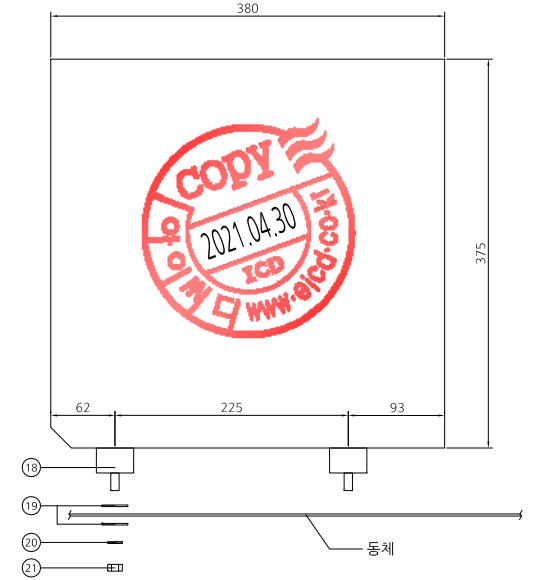
2. TERMINAL BOARD



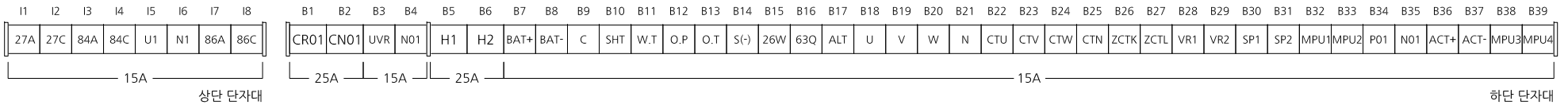
< 내부 부품 배치도 >

PART LIST

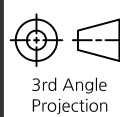
NO.	PART NAME	Q'TY	REMARK
1	DIGITAL CONTROLLER	1	NeoGCP i7 PLUS+
2	LATCH	2	SOUTHCO
3	MAIN POWER LAMP	1	GREEN, AC220V
4	GENERATOR POWER LAMP	1	RED, AC220V
5	EMERGENCY STOP BUTTON	1	KGE - J4R1R
6	BATTERY CHARGER	1	SW-10S (DC24V, 10A)
7	TERMINAL (15A)	8	JOTN 15A
8	VOLTAGE ADJ. PCB	1	ICD
9	MCCB (MAIN POWER)	1	BS32c, 2P 20A
10	ELCB (HEATER POWER)	1	32GrhS, 2P 30A
11	MCB (DC POWER)	1	BK63H, 2P 20A



NO.	PART NAME	Q'TY	REMARK
12	FUSE	3	2A (FH : KF-32L)
13	AUX. RELAY	3	DC 24V, KMY2
14	TERMINAL (25A)	2	JOTN 25A
15	TERMINAL (15A)	2	JOTN 15A
16	TERMINAL (25A)	2	JOTN 25A
17	TERMINAL (15A)	33	JOTN 15A
18	RUBBER CUSHION	4	ICD
19	FLAT WASHER	8	M8
20	LOCK WASHER	4	M8
21	NUT	4	M8



All Dimensions in millimeters unless otherwise stated



ICD (주) 아이씨디 ICD CO., LTD www.icd.co.kr
 B-817, Smart Valley, Songdo-dong, Yeonsu-gu, Incheon, Korea

This Drawing and Design are property of ICD Co.,Ltd and must not be used or copied without permission

Drawn by	Checked by	Approved by	Weight
2021.04.30	2021.04.30	2021.04.30	
Tulga	Tony	Tony	Scale
			N / A

Project Title
GenCube

Project No.
-

Drawing Title
Layout Diagram
(GenCube 700CP)

Drawing No.
42.99700-5026a

Sheet
1 / 1