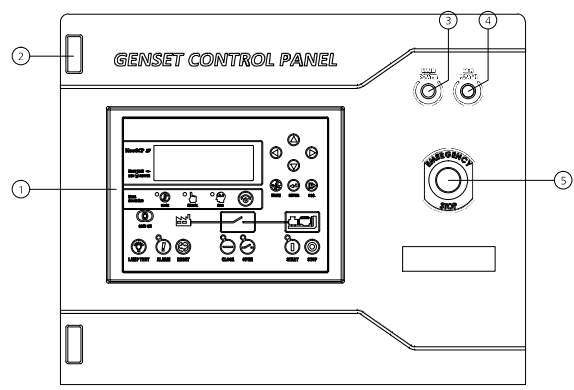
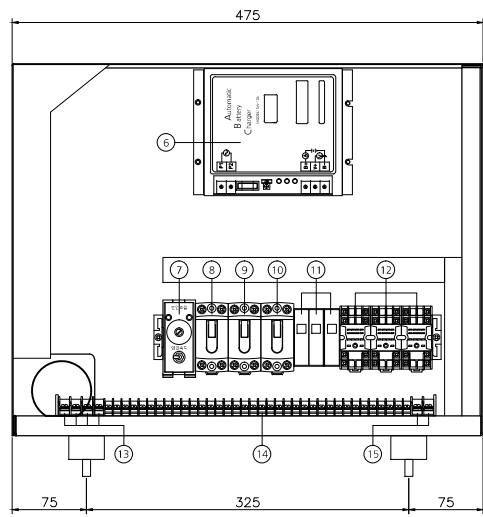


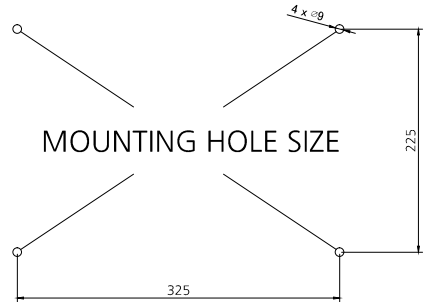
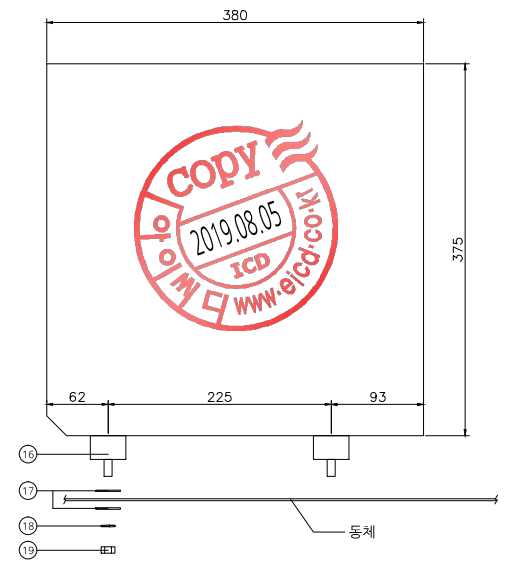
Mark	Q'TY	ECR No.	Description of change	Date	Created	Checked
------	------	---------	-----------------------	------	---------	---------



< 도어 부품 배치도 >



< 내부 부품 배치도 >



**NOTE**

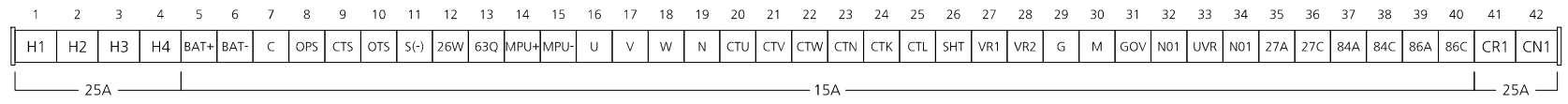
1. REFERENCE DRAWING  
42.99591-0066 Schematic Diagram (GenCube 700CP)
2. TERMINAL BOARD

**PART LIST**

NO.	PART NAME	Q'TY	REMARK
1	DIGITAL CONTROLLER	1	NeoGCP i7
2	LATCH	2	SOUTHCO
3	MAIN POWER LAMP	1	GREEN, AC220V
4	GENERATOR POWER LAMP	1	RED, AC220V
5	EMERGENCY STOP BUTTON	1	QRE-NRB1
6	BATTERY CHARGER	1	SW-10S (DC24V, 10A)
7	IDLE-RUN & VOLTAGE ADJ. PCB	1	ICD
8	MCCB (MAIN POWER)	1	SBH32B, 2P 20A
9	MCCB (HEATER POWER)	1	SCH32B, 2P 20A
10	MCCB (DC POWER)	1	SBH32B, 2P 20A

NO.	PART NAME	Q'TY	REMARK
11	FUSE	3	2A
12	AUX. RELAY	3	DC 24V, KMY2
13	TERMINAL (25A)	4	JOTN 25A
14	TERMINAL (15A)	36	JOTN 15A
15	TERMINAL (25A)	2	JOTN 25A
16	RUBBER CUSHION	4	ICD
17	FLAT WASHER	8	M8
18	LOCK WASHER	4	M8
19	NUT	4	M8

하단 단자대 :



All Dimensions in millimeters unless otherwise stated

<p>3rd Angle Projection</p>	<p><b>(주) 아이씨디 ICD CO.,LTD</b> www.eicd.co.kr B-617, Smart Valley, Songdo-dong, Yeonsu-gu, Incheon, Korea</p> <p><i>This Drawing and Design are property of ICD Co.,Ltd and must not be used or copied without permission</i></p>	Drafting	Design	Checked	Weight	Type	Drawing Name
		2019.08.05	2019.08.05	2019.08.05		GenCube	Layout Diagram
		Munkhtulga	Munkhtulga	Tony	Scale	Project No.	Drawing No.
			1 / 1		-	42.99700-5026	Sheet 1 / 1