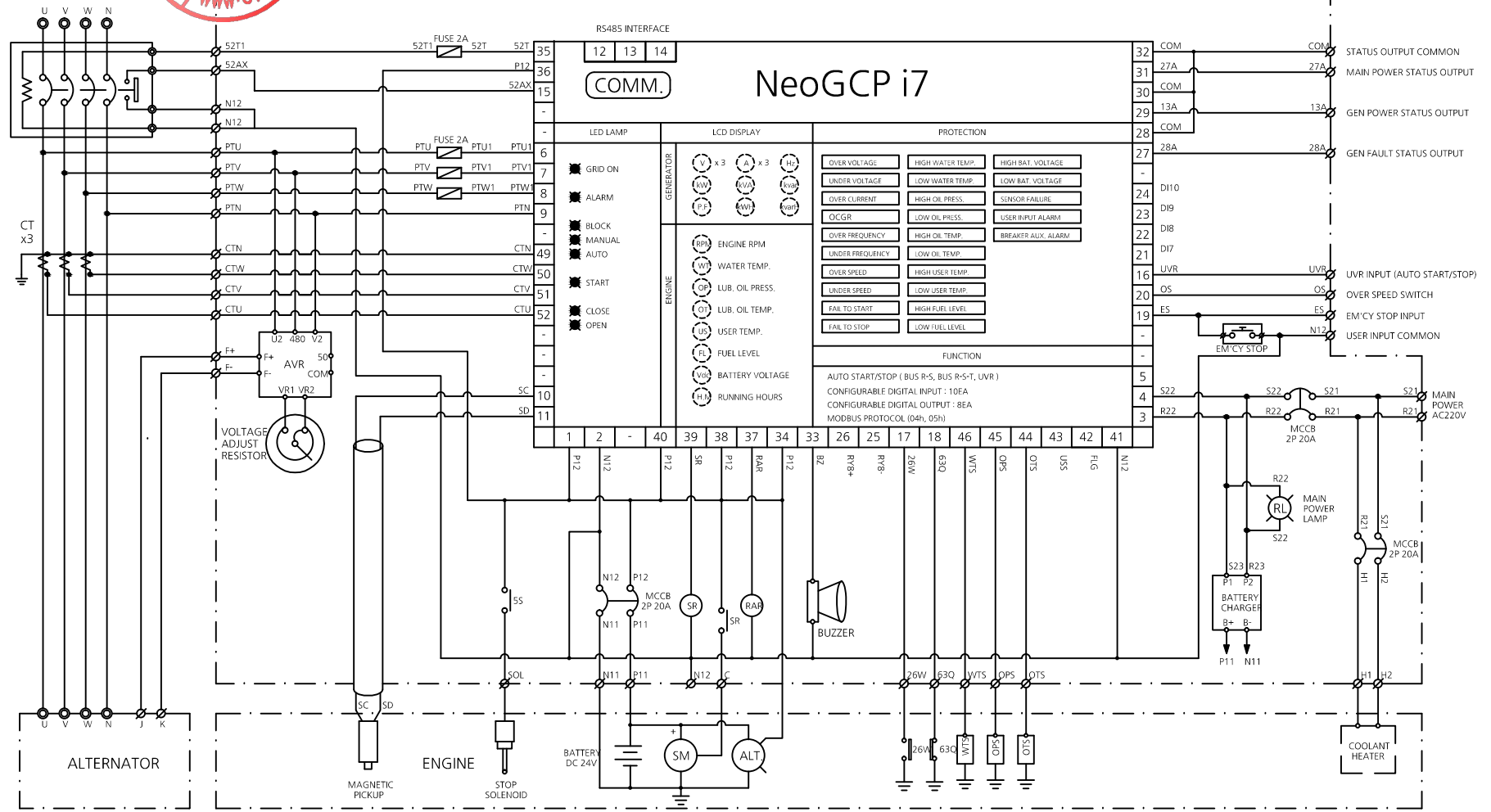




Mark	Q'TY	ECR No.	Description of change	Date	Created	Checked
------	------	---------	-----------------------	------	---------	---------



All Dimensions in millimeters unless otherwise stated

<p>3rd Angle Projection</p>	<p>(주) 아이씨디 ICD CO.,LTD www.eicd.co.kr B-617, Smart Valley, Songdo-dong, Yeonsu-gu, Incheon, Korea</p> <p><i>This Drawing and the Design shown are the property of ICD CORP. and must not be used or copied without their permission</i></p>	Drafting	Design	Checked	Weight	Type	Drawing Name	
		2017.02.21	2011.12.06	2017.02.21		NeoGCP i7	SCHEMATIC DIAGRAM (MECH-GOV, DC-TRIP)	
		Munkhtulga	Turtle_Jin	Tony	Scale	Project No.	Drawing No.	Sheet
					1 / 1	GEN CONTROLLER(IAK)	42.99591-0042	1 / 1