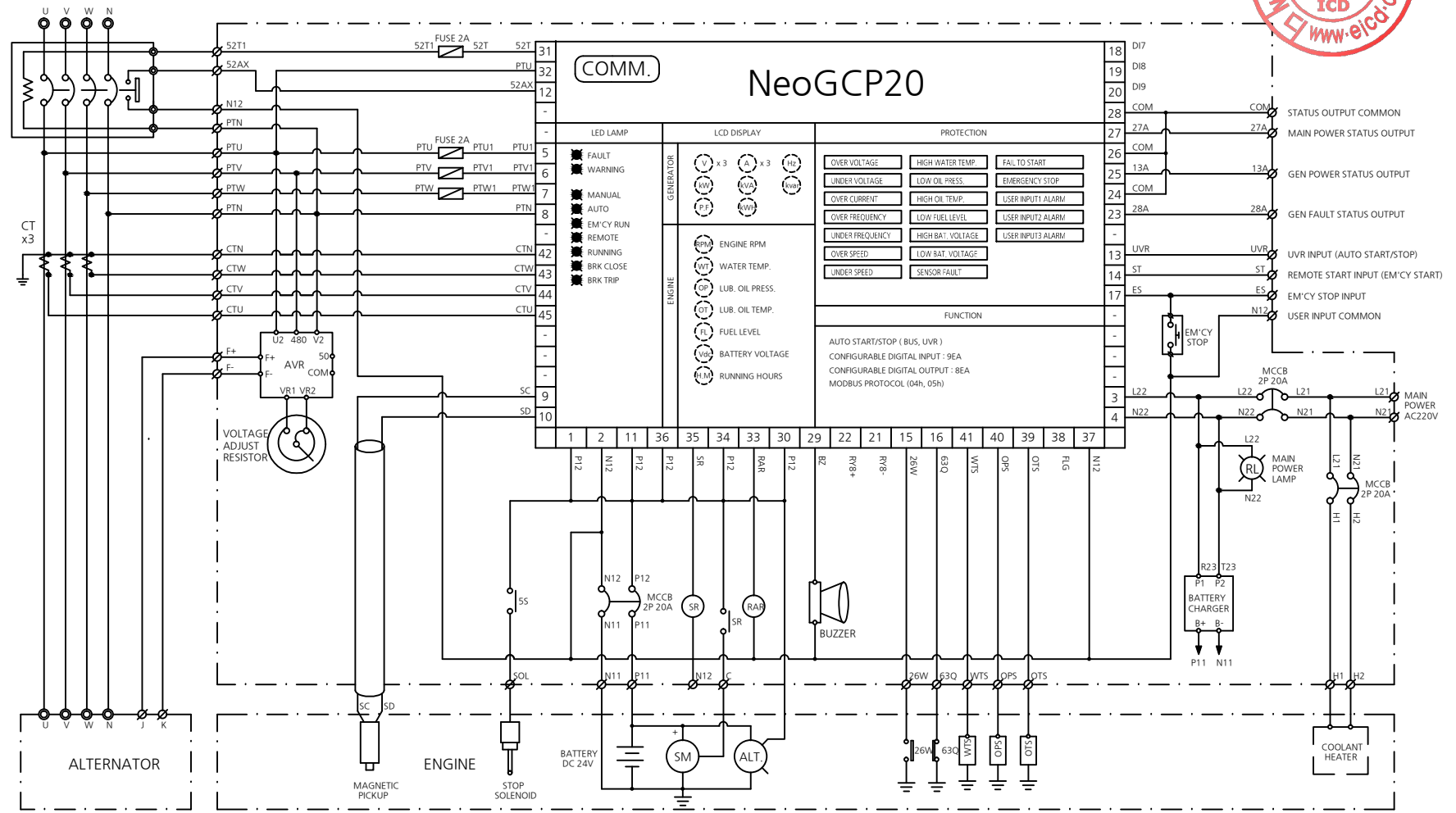
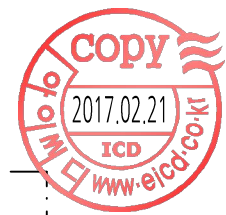


Mark	Q'TY	ECR No.	Description of change	Date	Created	Checked
------	------	---------	-----------------------	------	---------	---------



All Dimensions in millimeters unless otherwise stated

<p>3rd Angle Projection</p>	<p><b>(주) 아이씨디 ICD CO.,LTD</b> www.eicd.co.kr B-617, Smart Valley, Songdo-dong, Yeonsu-gu, Incheon, Korea</p> <p><i>This Drawing and the Design shown are the property of ICD CORP. and must not be used or copied without their permission</i></p>	Drafting	Design	Checked	Weight	Type	Drawing Name
		2017.02.21	2016.06.21	2017.02.21		NeoGCP20	SCHEMATIC DIAGRAM (MECH-GOV, AC-TRIP)
		Munkhtulga	BJ Chon	Tony	Scale	Project No.	Drawing No.
				1 / 1	GEN CONTROLLER(NFQ)	42.99591-0036	1 / 1