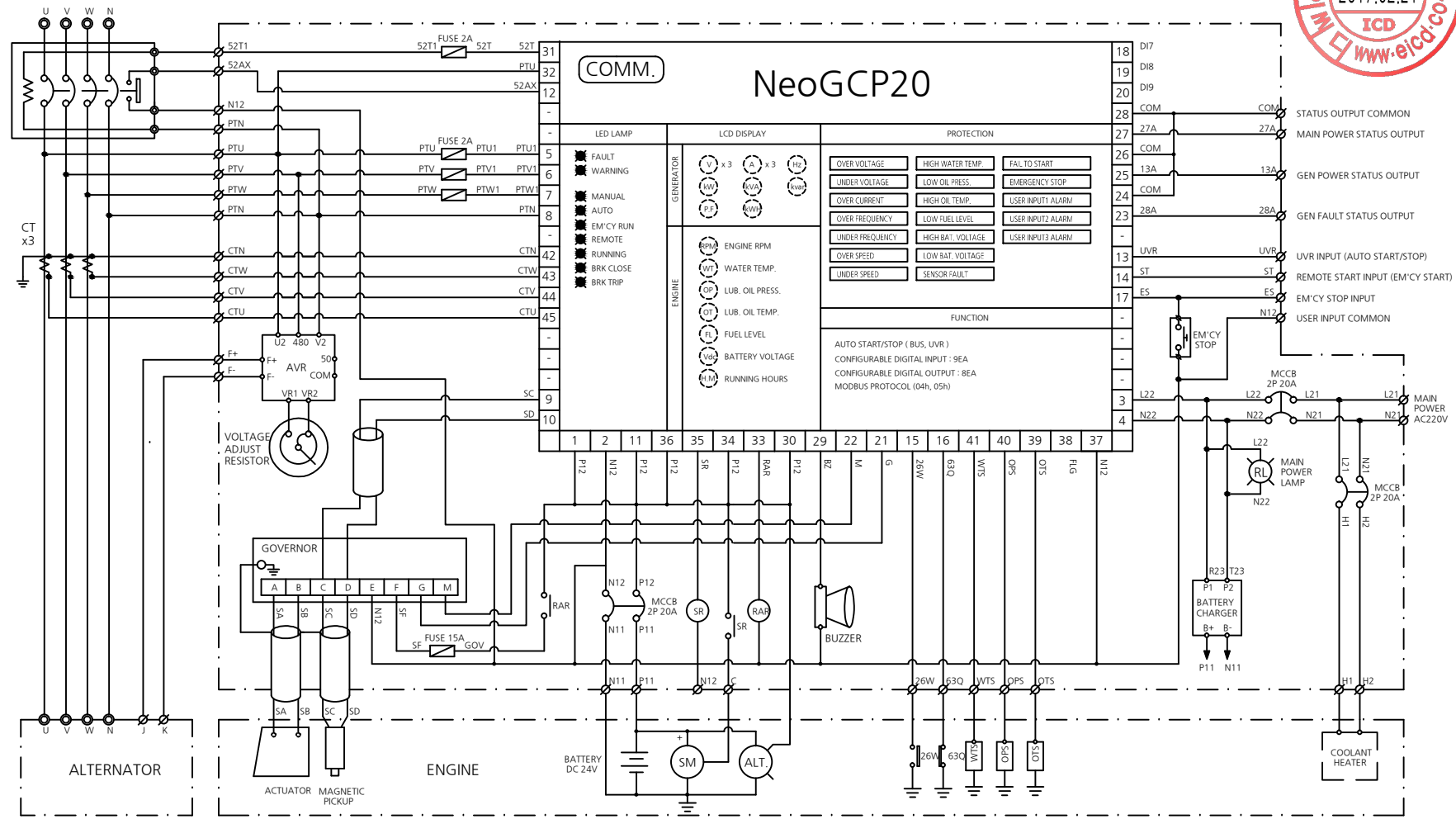
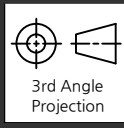


Mark	Q'TY	ECR No.	Description of change	Date	Created	Checked
------	------	---------	-----------------------	------	---------	---------



All Dimensions in millimeters unless otherwise stated



ICD (주) 아이씨디 ICD CO.,LTD www.eicd.co.kr
 B-617, Smart Valley, Songdo-dong, Yeonsu-gu, Incheon, Korea
This Drawing and the Design shown are the property of ICD CORP. and must not be used or copied without their permission

Drafting	Design	Checked	Weight	Type
2017.03.20	2016.06.21	2017.03.20		NeoGCP20
Munkhtulga	BJ Chon	Tony	Scale	Project No.
			1 / 1	GEN CONTROLLER(NFQ)

Drawing Name	Sheet
SCHEMATIC DIAGRAM (ELEC-GOV, AC-TRIP)	42.99591-0034
Drawing No.	1 / 1