

SYMBOL & ABBREVIATIONS	
ALT.	ALTERNATOR
PS	POWER RELAY FOR STARING MOTOR
SM	STARTING MOTOR
88X	STARTING RELAY
65X	GOVERNOR RELAY
84X	GENSET RUNNING RELAY

시동모터 (88X)			
NO	COM	NC	
C-P01	3	5	1
-	4	6	2
KLY2 (2A2B)			

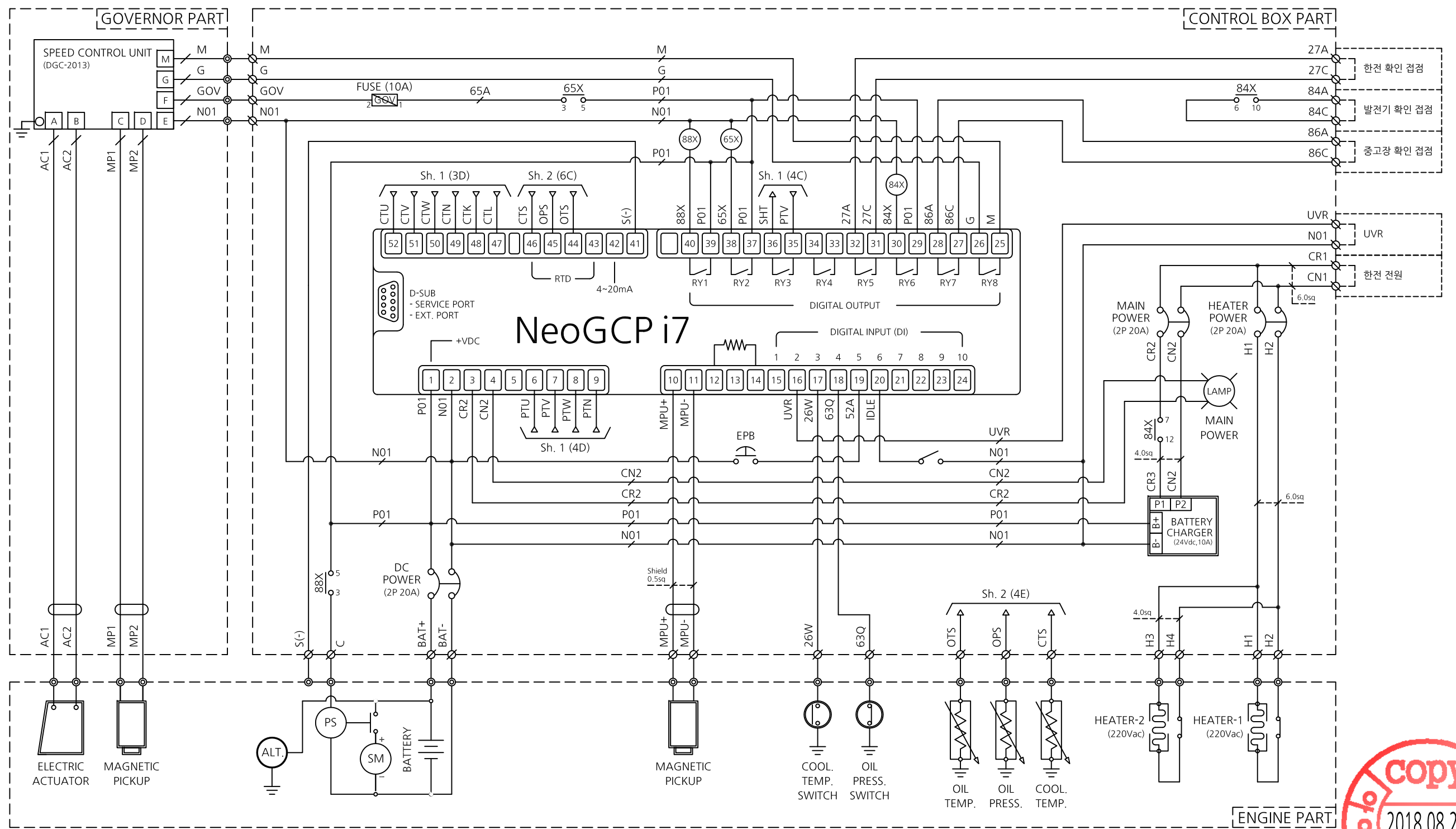
가버너 (65X)			
NO	COM	NC	
65A-P01	3	5	1
-	4	6	2
KLY2 (2A2B)			

윤전중 (84X)			
NO	COM	NC	
-	5	9	1
84A-84C	6	10	2
CR2-CR3	7	11	3
-	8	12	4
KMY4 (4A4B)			

All Dimensions in millimeters unless otherwise stated

<p>3rd Angle Projection</p>	<p>ICD (주) 아이씨디 ICD CO.,LTD www.eicd.co.kr B-617, Smart Valley, Songdo-dong, Yeonsu-gu, Incheon, Korea</p> <p><i>This Drawing and the Design shown are the property of ICD CORP. and must not to be used or copied without their permission</i></p>	Drafting	Design	Checked	Weight	Type	Drawing Name
		2018.08.20	2018.08.20	2018.08.20		GenCUBE	Schematic Diagram
		Chon B J	Munkhtulga	Tony	Scale	Project No.	Drawing No.
			1 / 1	-		42.99591-0063	Sheet 1 / 2

Mark	Q'TY	ECR No.	Description of change	Date	Created	Checked



All Dimensions in millimeters unless otherwise stated

<p>3rd Angle Projection</p>	<p>ICD (주) 아이씨디 ICD CO., LTD www.eicd.co.kr B-617, Smart Valley, Songdo-dong, Yeonsu-gu, Incheon, Korea</p>	Drafting	Design	Checked	Weight	Type	Drawing Name	
		2018.08.20	2018.08.20	2018.08.20		GenCUBE	Schematic Diagram	
		Chon B J	Munkhtulga	Tony	Scale	Project No.	Drawing No.	
This Drawing and the Design shown are the property of ICD CORP. and must not to be used or copied without their permission						1 / 1	-	42.99591-0063
							(GenCUBE 700CP)	Sheet 2 / 2